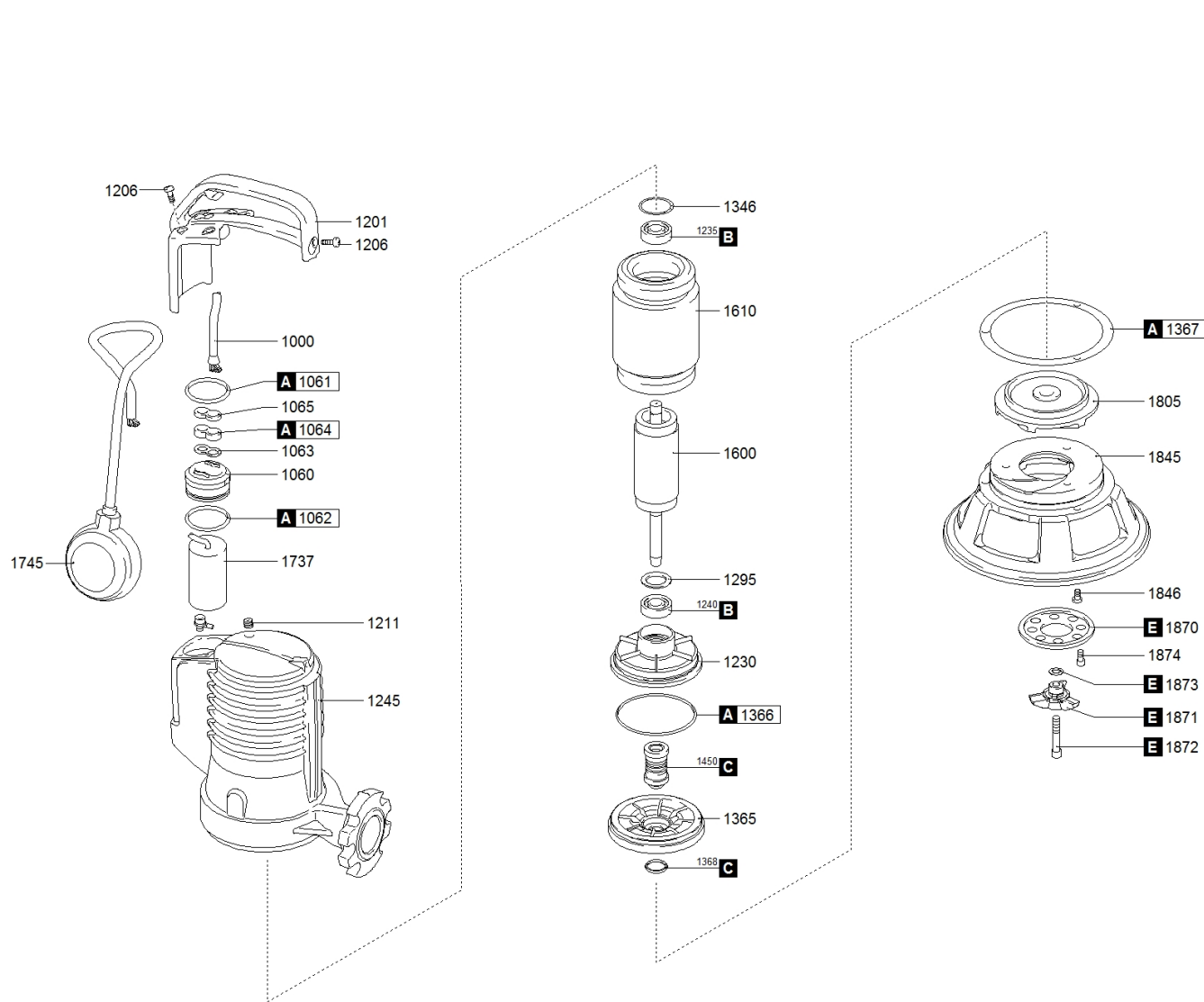


1116.012 - GRBLUEP 100/2/G40H A1CM5 NGDDB51023NW0CX



BluePRO 107
GR G40H 01A



water solutions



1116.012 - GRBLUEP 100/2/G40H A1CM5 NGDDB51023NW0CX

	Code	Description		Q.ty	Price (€)
A	601008001	GASKETS KIT	801156	1	21,15
C	602008031	MECHANICAL SEALS KIT	711079	1	55,25
E	603008001	CUTTING SYSTEM KIT	801140	1	54,70
B	604008311	BEARINGS KIT		1	25,45
1000	250102404010000000	POWER CABLE		1	60,50
1060	239768026156	HOLDER [CABLE GLAND]	805885	1	4,34
1061	271770412835300000	UPPER GASKET - HOLDER [CABLE GLAND]	711030	1	-
1062	271770040952620000	LOWER GASKET - HOLDER [CABLE GLAND]		1	-
1063	235467024280	CABLE STOP		2	1,50
1063	2732001100000	CABLE STOP		1	-
1064	235678024200	RUBBER GASKET		1	-
1065	235467024241	CABLE GLAND	805884	1	1,50
1201	235361024325	CABLE GLAND HANDLE	804984	1	18,80
1206	270830510140400000	SCREW [CABLE GLAND HANDLE >> COVER]		5	0,40
1211	270139510104000000	CAP [TIGHTNESS TEST]	802099	1	2,00
1230	230556323606	LOWER BEARING HOLDER		1	31,10
1235	2729062030200000	UPPER BEARING	711360 or 802083	1	7,15
1240	2729063030200000	LOWER BEARING	750023	1	10,85
1245	231016324968	MOTOR CASE		1	195,10
1295	270220170241500000	UPPER DISTANCE RING [LOWER BEARING]	711065	1	0,85
1346	27542039100000	WAVE SPRING	802283	1	0,55
1365	2391120021023608	MECHANICAL SEAL FLANGE		1	27,75
1366	271770107035000000	GASKET [LOWER BEARING HOLDER >> MECHANICAL SEAL FLANGE]		1	-
1367	2750912123933	GASKET [MECHANICAL SEAL FLANGE >> BASE]		5	-
1368	237970130190600000	V-RING [MECHANICAL SEAL FLANGE]		1	-
1450	230005040150000000	MECHANICAL SEAL	710995	1	57,65
1600	230233611623762	SHAFT WITH ROTOR		1	74,85
1610	231101161002000000	WOUND STATOR	802370	1	166,25
1737	25170240000000	CAPACITOR	710986	1	20,40
1737	25170920000000	CAPACITOR	710988	1	85,45
1745	254500405100001	FLOAT SWITCH		1	9,60
1805	21411500790523668	IMPELLER	710977	1	31,10
1845	2145112123588	BASE		1	97,80
1846	270830610123200000	SCREW [BASE >> MOTOR CASE]	802092	3	0,40
1870	211720624144	CUTTING DISK		1	27,05
1871	211630824027	CHOPPER KNIFE		1	35,95
1872	270830610453200000	LOCKING CHOPPER KNIFE		1	0,85
1873	270620120180200000	WASHER [CHOPPER KNIFE]	711051	4	0,25

